



# PARTS MAP

Model: \_\_\_\_\_

Serial Number: \_\_\_\_\_

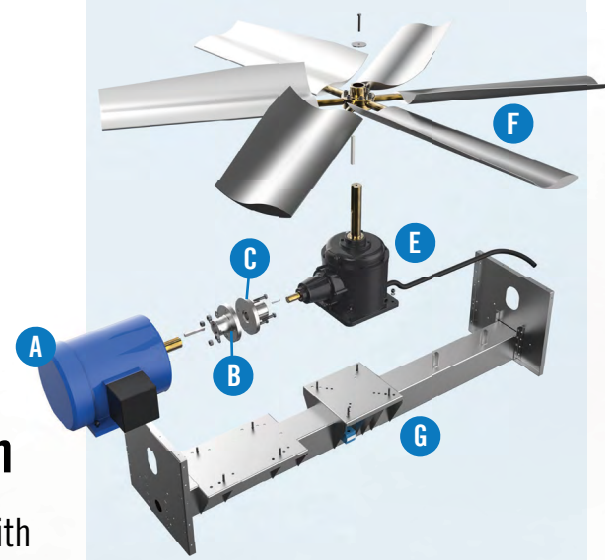
Notes:  
 \_\_\_\_\_  
 \_\_\_\_\_  
 \_\_\_\_\_  
 \_\_\_\_\_  
 \_\_\_\_\_  
 \_\_\_\_\_  
 \_\_\_\_\_  
 \_\_\_\_\_  
 \_\_\_\_\_

## Upper Casing Section

- 1 Hot Water Basin
- 2 Spray Nozzles
- 3 BACross III® Upper Fill with Integral Drift Eliminators
- 4 Axial Fan Assembly (see detailed view)
- 5 Fan Guard Assembly
- 6 Fan Cylinder
- 7 FRP Casing Panels

# Series 3000 Cooling Tower

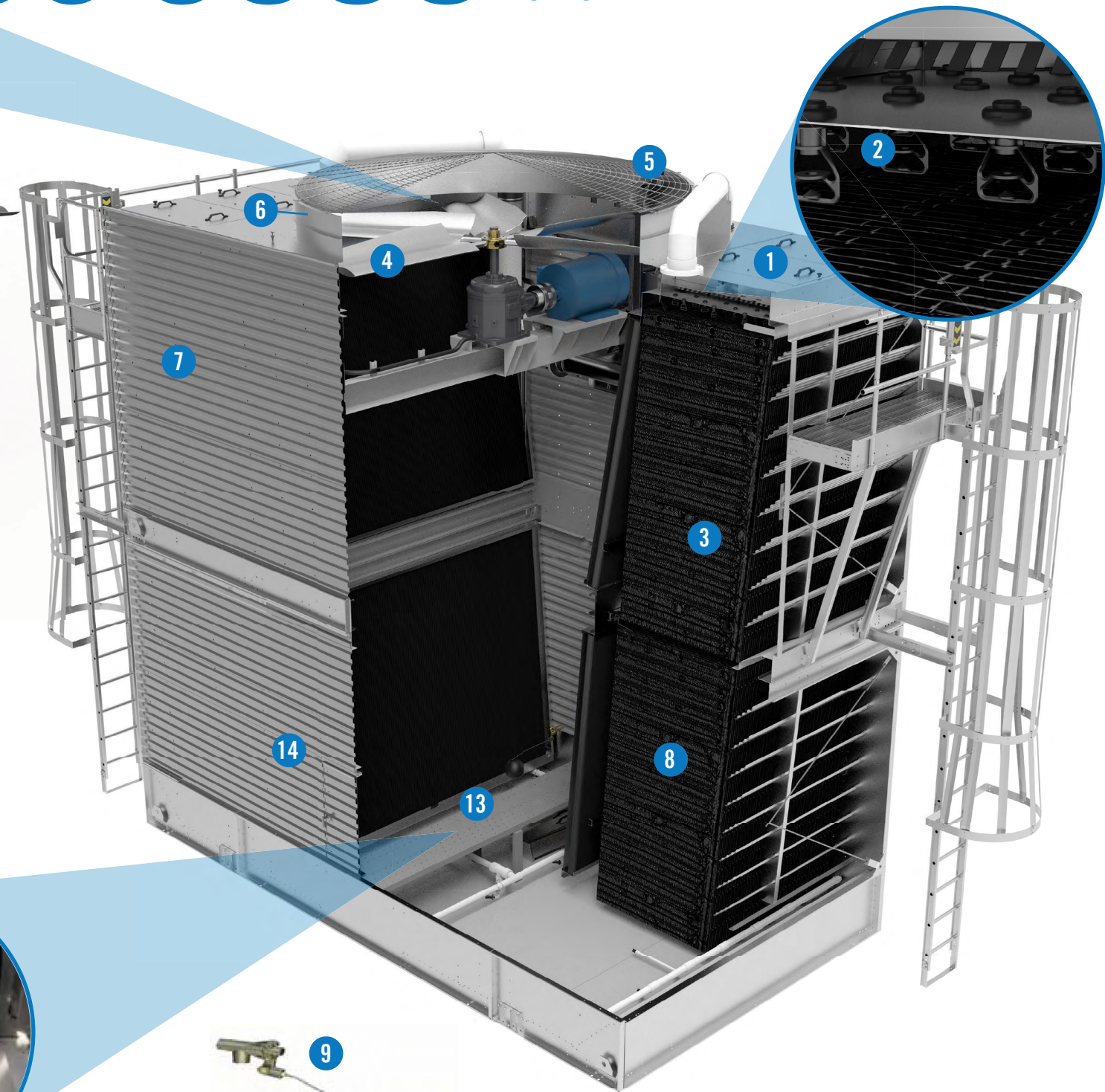
### Axial Fan Assembly



- A Motor
- B Motor Coupling
- C Gear Coupling
- D Coupling Sleeve (not pictured)
- E Gear Box
- F Axial Fan and Bushing
- G ME Support
- H Motor Base (not pictured)

## Lower Pan Section

- 8 BACross III® Lower Fill with Integral Drift Eliminators
- 9 Make-up Valve Assembly
- 10 Float Ball
- 11 Pan Strainer
- 12 Pan Strainer Hood
- 13 Internal Walkway
- 14 Access Door



**Reduce Downtime**  
 Spare Parts List (page 2)

# Recommended Spare Parts

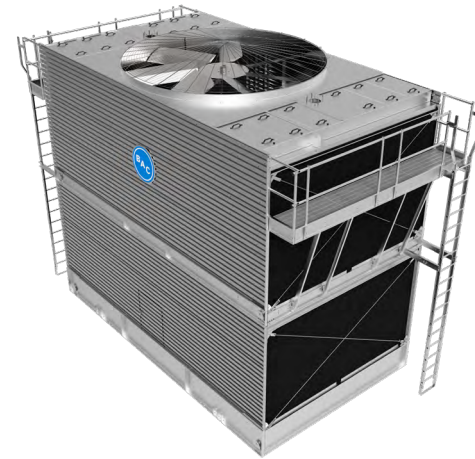
**BAC Factory Authorized Parts** are manufactured to meet rigorous specifications and are guaranteed to fit your unit and perform as original equipment.

BAC Factory Authorized Parts can be ordered through your local BAC Representative. Most BAC Representatives maintain a local inventory of commonly used parts. For a free unit inspection and a specific parts list for your serial number, contact your local BAC Representative today.

Even with BAC's fast delivery capability, it is still recommended that certain essential and emergency repair part be maintained in your inventory to minimize any potential downtime.



Find my BAC Rep to order parts, get maintenance tips, and get a free unit inspection: [www.baltimoreaircoil.com/RepFinder](http://www.baltimoreaircoil.com/RepFinder)



## Series 3000

Cooling Tower

Gear Drive Configuration

### Basic Recommended Spare Parts

#### Belts

**Basin heater & LWCO** (if equipped)

**Float valve kit & float ball**

**Solenoid valve** (if unit is equipped with EWLC option)

**Spray nozzles**

**Suction strainer**

**Inlet strainer** (if equipped)

### Parts to Consider for Critical Applications

**Prop fans with bushings**

**Fan motor**

**Gear** (if equipped)

**Gear couplings** (internal motor application)

**Gear drive shaft** (External motor application)



Scan to locate your local BAC Representative